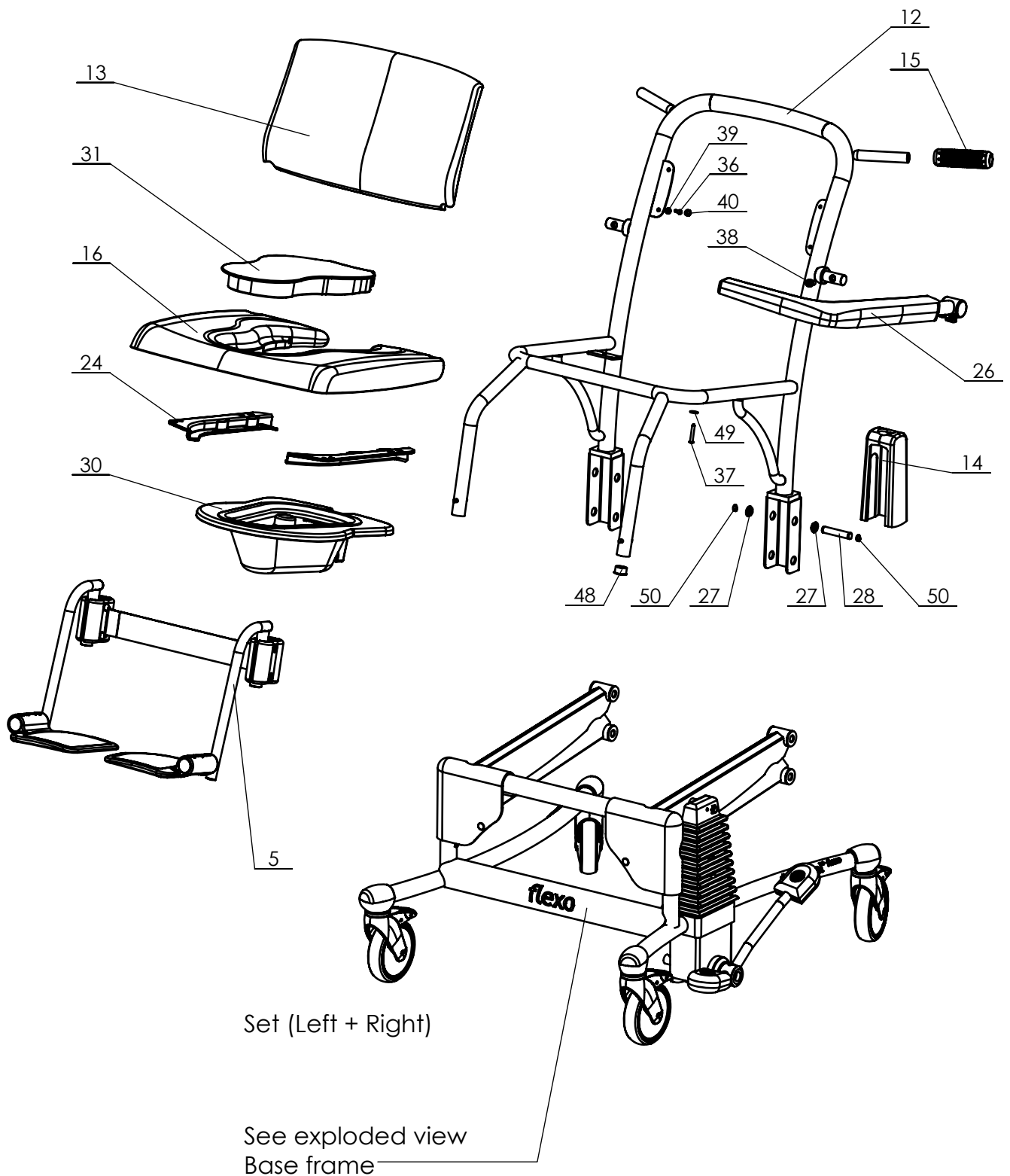


From Serial Number 5199.20.074



P:\SW-Tek\Flexo 5199 (5199)

Signed	PS	Date	02-11-2005
Revised	10 /KA	Date	22-10-2018
Revised	11 /KA	Date	07-01-2020

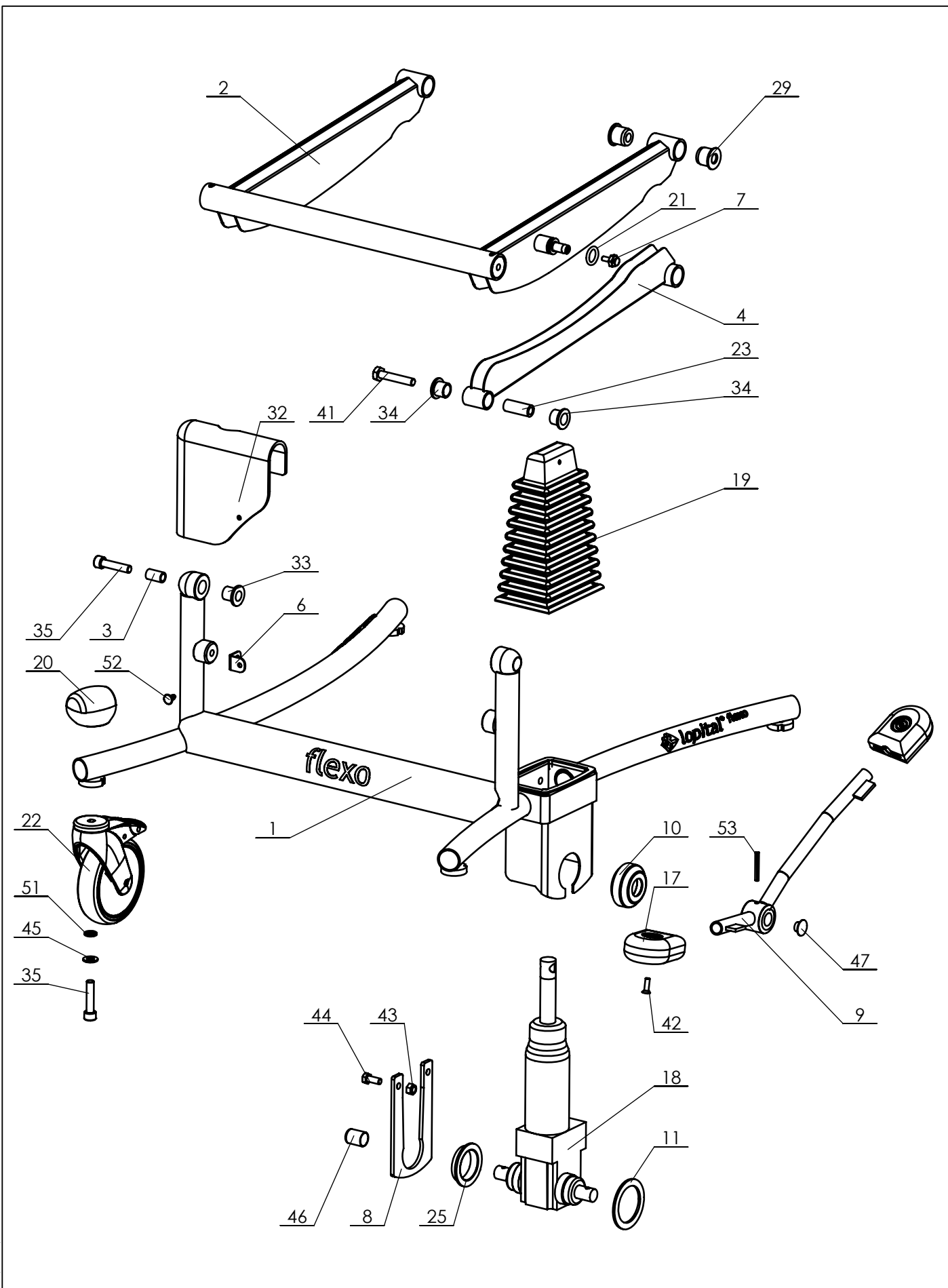
Copyright reserved
by law

Unit of measure-
ment: mm

Overview parts Flexo

Lopital Nederland bv

Type nr: 51005199



P:\SW-Tek\Flexo 5199\5199

Signed	PS	Date	02-11-2005
Revised	10 /KA	Date	22-10-2018
Revised	11 /KA	Date	07-01-2020
Copyright reserved by law		Unit of measurement: mm	

Overview parts Flexo Base frame

Lopital Nederland bv

Type nr: 51005199

Flexo 51005199

Part nr.	QTY.	Art.nr.	Part
1	1	70519906	Frame
2	1	70519907	Main lever
3	2	70519923	Bush
4	2	70519909	Control lever
5	1	69605199	Footrest complete
6	2	70519922	Bracket for cover
7	1	70519926	Lever pin threaded
8	1	70519911	Jawplate
9	1	70519910	Pedal
10	1	70519925	Rosette
11	1	70519921	Filling plate
12	1	70519905	Seat frame
13	1	70550005	Back rest
14	2	70519936	Hinge cover
15	2	70560049	Handgrip
16	1	70560046	Seat
17	2	70519920	Pedal cap
18	1	70519913	Pump (hydraulic)
19	1	70519902	Bellow
20	4	70560066	Protective cover wheel
21	1	70519901	O-Ring
22	4	70519928	Castor Ø 125 mm braked
23	2	70550008	Bush
24	1	70510050	Guide for bedpan set
25	1	70519925	Ring
26	1	68405660	Front locking armrest
27	8	70560040	Bush bearing rear
28	4	70560042	Hinge
29	8	70560041	Bush
30	1	69501104	Bedpan + lid
31	1	70560045	Lid for seat
32	2	70519924	Frontcap
33	2		Flanged Slide bearing 14x18x21
34	4		Flanged Slide bearing 16x20x17
35	6		Cylinder head screw M10 x 45
36	4		Chipboard screw 4,5x25
37	4		Chipboard screw 5x35
38	2	75005640	Cylinder head screw M8x16 Super Duplex 4529
39	4		Capring M4
40	4		Screw cap M4
41	2		Hex bolt M10x55

Signed	PS	Date	02-11-2005
Revised	10 /KA	Date	22-10-2018
Revised	11 /KA	Date	07-01-2019

Overview parts Flexo

Copyright reserved
by law

Unit of measure-
ment: mm

Lopital Nederland bv

Type nr: 51005199

Flexo 51005199

Part nr.	QTY.	Art.nr.	Part
42	2		Countersunk cross slotted screw M6x20
43	2		Locknut M8
44	2		Hex bolt M8x20
45	4		Washer M10
46	1		Tube cap 17x45 Round ferrules
47	1		Tube cap Ø22
48	2		Tube cap Ø25
49	4		Washer M5 Ø15
50	8		Retaining ring 12
51	4		Nord-Lock M10
52	2		Cylinder head screw M4x12
53	1		Conical notch pin Ø5x40



Signed	PS	Date	02-11-2005
Revised	10 /KA	Date	22-10-2018
Revised	11 /KA	Date	07-01-2019

Overview parts Flexo

Copyright reserved
by law

Unit of measure-
ment: mm

Lopital Nederland bv

Type nr: 51005199