

P:\SW-Ftek\Pelikaan lijn\4015\

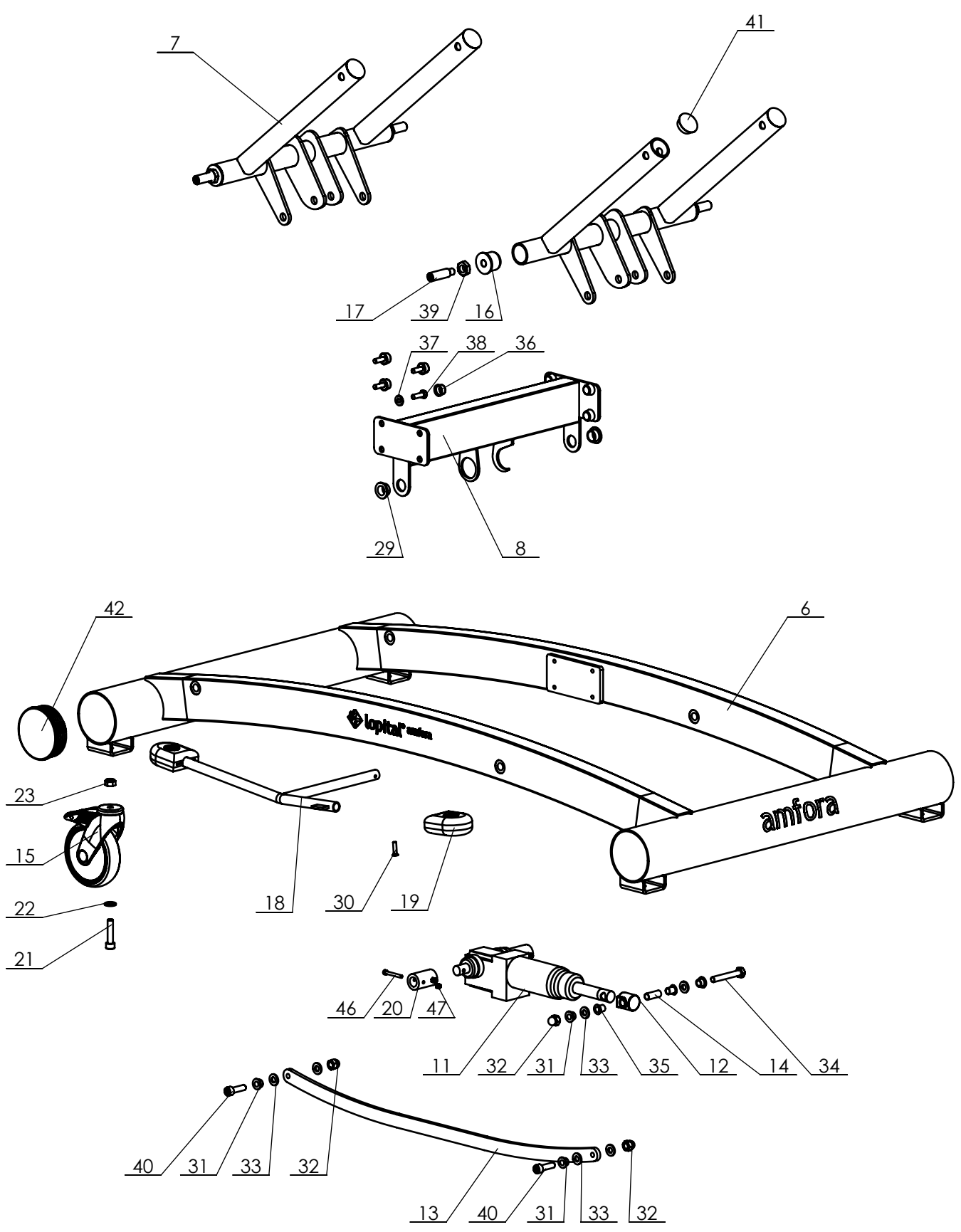
Drawn by: KA	Date: 14-06-2018
Revised: 8 /KA	Date: 27-09-2023
Revised: - /KA	Date: -

Overview parts Amfora (Hydraulic)

Copyright reserved by law	Unit of measurement: mm
---------------------------	-------------------------

Lopital Nederland bv

Type no: 62004015



P:\SW-Tek\Pelikaan lijn\4015\

Drawn by: KA	Date: 14-06-2018
Revised: 8 /KA	Date: 28-09-2023
Revised: - /KA	Date: -

Overview parts Amfora (Hydraulic)

Copyright reserved by law
Unit of measurement: mm

Lopital Nederland bv

Type nr: 62004015

Amfora 62004015

Part nr.	QTY.	Art.no.	Part
1	1	70401501	Frame L=190
2	1	70401511	Inlay frame backrest L=190
3	1	70401509	Adjusting backrest
4	2	70401510	Tube backrest adjusting
5	2	70401514	Siderail complete L=190
6	1	70401502	Chassis
7	1	Set with no. 6	Lever set
8	1	70401505	Pump frame
9	2	70401512	Lying surface
10	1	70401503	Drip tray
11	1	70519913	Pump hydraulic
12	1	70200041	Pump attachment
13	2	Set with no. 6	Pull stroke
14	1	70550009	Hinge bush
15	4	70519928	Castor Ø 125 mm braked
16	4	Set with no. 6	Lever bearing
17	4	70307001	Custom screw
18	1	70401506	Pedal pump set
19	4	70519920	Pedal cap
20	2	70401504	Coupling
21	4		Cylinder head screw M10x45
22	4		Washer M10
23	4		Locknut M10
24	10		Washer M6
25	4		Locknut M6
26	4		Nut cap M6
27	2		Wingbolt M6x15
28	2		Tube cap Ø25
29	2		slide bearing 18x22x12
30	4		Countersunk screw M6x25
31	6		Slide bearing 10x14x10
32	5		Capnut M10
33	10		Washer M10
34	1		Hex bolt M10 x 70
35	2		Slide bearing 10x12x15 Screw
36	16		Cap M8
37	16		Cap ring M8
38	8		Hex bolt M8 x 25
39	4		Low Hex nut M16
40	4		Cylinder head screw M10x35

Drawn by: KA	Date: 14-06-2018
Revised: 8 /KA	Date: 28-09-2023
Revised: - /KA	Date: -

Overview parts Amfora (Hydraulic)

Copyright reserved
by law

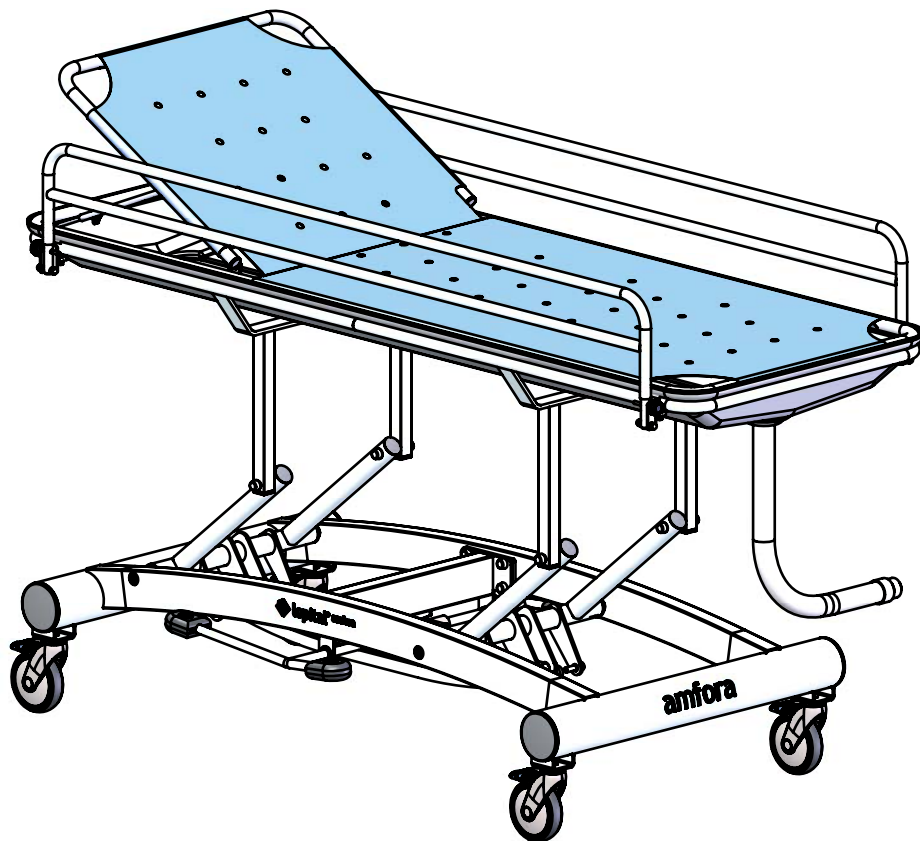
Unit of measure-
ment: mm

Lopital Nederland bv

Type n0: 62004015

Amfora 62004015

Part nr.	QTY.	Art.nr.	Part
41	4		Tube cap Ø 40
42	4		Tube cap Ø100
43	4		Hex bolt M8 x 100
44	4		Locknut M8
45	16		Slide bearing 8x14x10
46	4		Cylinder headscrew M5x40
47	4		Locknut M5
48	4		Tube cap 30x30
49	1	67902000	Hose complete



P:\SW-Tek\Pelikaan lijn\4015\

Drawn by: KA	Date: 14-06-2018
Revised: 8 /KA	Date: 28-09-2023
Revised: - /KA	Date: -

Overview parts Amfora (Hydraulic)

Copyright reserved
by law

Unit of measure-
ment: mm

Lopital Nederland bv

Type no: 62004015