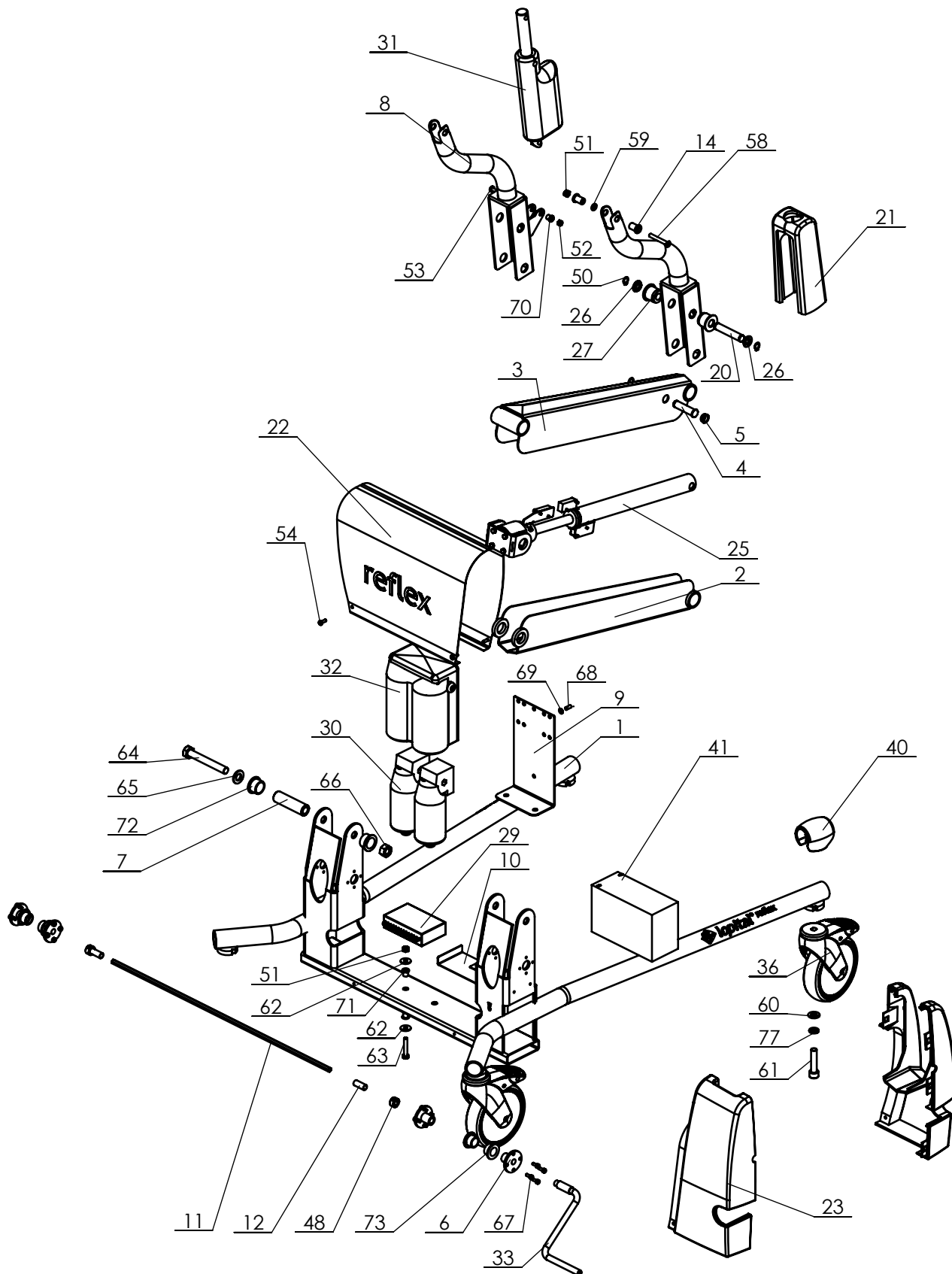


ProductonWinkelring\SW-Tek\Reflex 5600\5600\

Signed	KA	Date	11-01-2022
Revised		Date	
Revised		Date	
Copyright reserved by law		Unit of measurement: mm	

Overview parts Reflex

Lopital Nederland bv Type nr: 51005605



Producton\wikkeling\SW-Tek\Reflex 5600\5600\

Signed	KA	Date	11-01-2022
Revised		Date	
Revised		Date	
Copyright reserved by law	Unit of measurement: mm		

Overview parts Reflex base frame

Lopital Nederland bv

Type nr: 51005605

Reflex 51005605

Part nr.	QTY.	Art.nr.	Part
1	1	70560021	Frame
2	2	70560033	Main lever
3	2	70560034	Control lever
4	2	70560025	Actuator pin
5	4	70560027	Bushing brass bearing
6	4	70560026	Flanged bus
7	2	70560032	Threaded bush
8	1	70560036	Seat support L+R
9	1	70560037	Mounting plate motor
10	1	70560038	Bracket controller
11	1	70560030	Motor axis
12	2	70560031	Spacer
13	1	70560522	Seat frame
14	4	70560028	Tilt bearing brass
15	1	70560039	Slide block
16	2	70560049	Handgrip
17	1	70560047	Backrest
18	1	70560046	Seat
19	1	70560045	Lid for seat
20	4	70560042	Hinge
21	2	70519936	Hinge cover
22	1	70560024	Motor cover
23	1	70560054	Cover L+R
24	1	68405630	Head/neck support complete
25	1	70560010	Actuator (set)
26	8	70560040	Bush bearing rear
27	8	70560041	Bush
28	1	69501104	Bedpan + lid
29	1	70560002	Controlbox under
30	2	70560003	Motor
31	1	70560006	Tilt actuator
32	1	70560065	Cover for motor
33	1	70560007	Handle emergency
34	1	69605199	Footrest complete
35	1	68405660	Front locking armrest
36	4	70519928	Castor Ø 150 mm braked
37	1	80005604	Back cover complete
38	1	70550012	Charger incl. plug
39	1	70510050	Guide for bedpan set
40	4	70560066	Protective cover wheel
41	2	70560004	Battery
42	1		Zip lock bag

Signed	KA	Date	11-01-2022
Revised		Date	
Revised		Date	
Copyright reserved by law	Unit of measurement: mm		

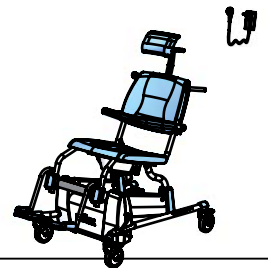
Overview parts Reflex

Lopital Nederland bv

Type nr: 51005605

Reflex 51005605

Part nr.	QTY.	Art.nr.	Part
43	1	70560044	Cable tray
44	1	70560014	Cable assembly complete
45	1	70560062	Sticker charger
46	1	75005640	Cylinder head screw M8x16 Super Duplex 4529
47	3		Raised countersunk head screw M4x8
48	2		Adjusting ring 8x16x8
49	4	-	Snap nut M4
50	10		Retaining ring 12
51	4		Locknut M6
52	2		Locknut M5
53	2		PAN head cross slotted screw M5x35
54	4		PAN head cross slotted screw M4x12
55	4		Chipboard screw 5x35
56	7		Chipboard screw 4x20
57	4		Chipboard screw 3,9x16
58	2		Raised countersunk head screw M6x45
59	2		Washer M6
60	4		Washer M10
61	4		Cylinder head screw M10 x 45
62	4		Washer M6 Ø18
63	2		Hexagonal head bolt M6x35
64	2		Hexagonal head bolt M12x90
65	2		Washer M12
66	2		Hexagon nut M12
67	16		Cylinder head screw M4x10
68	8		Hexagon head bolt M5x12
69	8		Spring washer M5
70	4		Flanged Slide bearing 5x8x10
71	4		Flanged Slide bearing 6x9x11
72	4		Flanged Slide bearing 20x24x15
73	4		Flanged Slide bearing 16x20x13.5
74	2		Tube cap Ø25
75	1	-	Rotary knob M8
76	4		Washer M5 Ø15
77	4		Nord-Lock M10



Producton\wikkeing\SW-Tek\Reflex 5600 5600\

Signed	KA	Date	11-01-2022
Revised		Date	
Revised		Date	

Overview parts Reflex

Copyright reserved
by law

Unit of measure-
ment: mm

Lopital Nederland bv

Type nr: 51005605